

PRODUCT SPECIFICATION

Description: LED Flood Light
MODEL No.: MAS-LED-500 80W



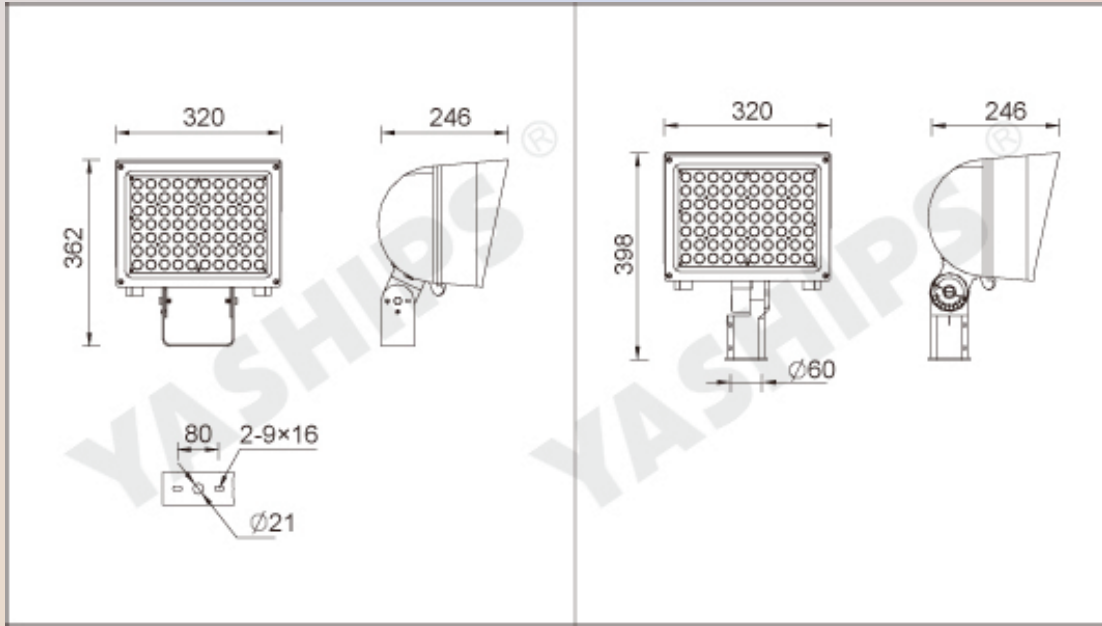
Features.

- High brightness, Single module using grain, high power LED
- Energy saving, driven by high efficiency constant, Power efficiency more than 90%
- Superior thermal design, long life, normal use can reach more than 50,000 hours.
- Strong weather ability, not sensitive to temperature, moisture to the wider
- Its simple-designed and easy to use.
- Environmental protection, not heavy metals and harmful gas.



Dimensions

MAS-LED- 500

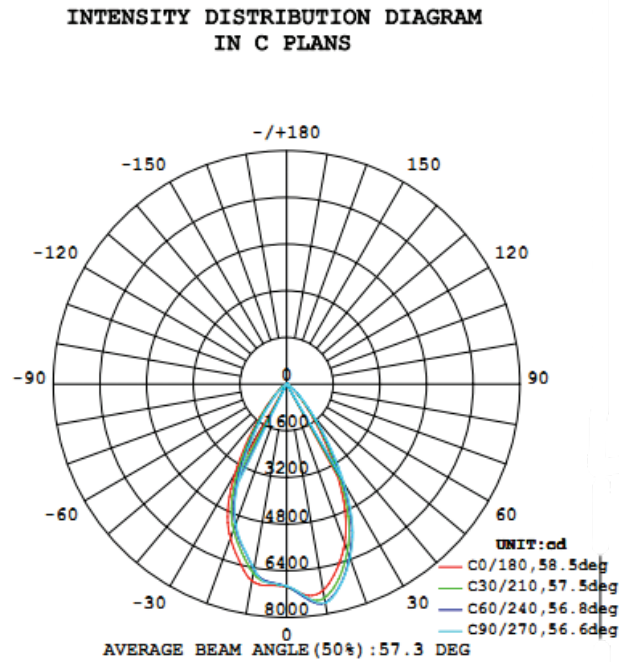


Product Parameters (80w)

ITEM	symbol	Description	UNIT
Picture of real products			
Rated Voltage	VOLT	90~305V AC	V
Power	P	76	W
Frequency	f	50~60	Hz
Luminous flux	Φ	6795	Lm
Light efficiency	η	91.5	Lm/W
Power Factor	PF	>0.96	PF
Operating Temperature	TOPR	-20~+45°C	°C
Storage Temperature	TOPR	-30~+60°C	°C
Protection Level	IP	65	IP
Lighting Angle	θ	40/60	DEGREE
Light Source	/	ETi	PCS
Total current harmonics	THD	<20	%
Correlate Color Temperature	Tc	4000	K
Color Rendering Index	CRI	>70	RA
Number of LED		50	PCS
LED'S Operating Life	LIFE	>50000	Hours
Base Type	/	/	/
Start-up time	T	<1.0	S
Switch frequency	n	>5000	/
Lumen Maintenance (3000h)	/	>94	%

Test Report

Light distribution diagram



- Avoid heavy pressure applied to the lamp, otherwise it will affect the stability of the product.
- Do not for a long time look directly at the luminaire, the lamp light can damage your eyes.
- According to the specification, use the product within the specified input voltage range.
- Non-professionals may not be demolished.
- After opening, please carefully check whether the items are complete, if damaged, please contact the supplier immediately, do not try to use.